



MeacoMist Deluxe Humidifier and Air Purifier Instruction Manual



MeacoMist Deluxe Humidifier

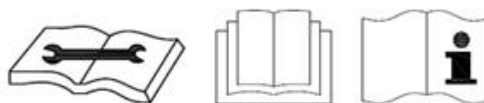
Please read this instruction manual before using the MeacoMist and keep safe for future reference.

Thank you for choosing Meaco, we really appreciate it.

SAFTEY INFORMATION

This machine must not be used in rooms under the following conditions:

- *Potentially explosive atmosphere*
- *Aggressive atmospheres*
- *Featuring a high concentration of solvents*
- *An extremely high ratio of dust*



Keep Children Away: Do not allow children to play with or around this unit, which could result in injury. Be sure the unit is inaccessible to children when not attended. This appliance is not intended for use by person (including children) with reduced physical, sensory or mental capabilities, or lack of experience and knowledge, unless they have been given supervision or instruction concerning use of the appliances by a person responsible for their safety.

Keep Unit Grounded: Always operate the unit with a grounded plug and a grounded electrical outlet. A grounded plug is an essential safety feature that helps reduce the risk of shock or fire.

Protect Power Cord from Damage: Never operate a unit with a damaged power cord, as this may lead to electrical or fire hazards. If the power supply cord is damaged, it must be replaced by a cord of the same type and amperage rating.

Extension Cords: Extension cords must be grounded and able to deliver the appropriate voltages to the unit.

Handle with Care: Do not drop, throw or crash the unit. Rough treatment can damage the components or wiring and create a hazardous condition.

Run on Stable Surface: Always operate the unit on a stable, level surface, for example the floor or a strong counter, so that the unit cannot fall and cause injury.

Keep Out of Water: Never operate the unit in pooled or standing water, as this may create a risk of injury from electrical shock. Do not store or operate outdoors. If electrical wiring or components become wet, thoroughly dry them before using the unit. If in doubt do not use the unit and consult a qualified electrician or a Meaco approved engineer.

Keep Air Intakes Clear: Do not clog or block the air intakes by placing the unit too close to curtains, walls or anything that will restrict the air inlet. This may cause the unit to overheat and result in a fire or electrical hazard.

Keep Electrical Components Dry: Never allow water inside the unit's electrical components. If these areas become wet for any reason, thoroughly dry them before using the unit. If in doubt, do not use the unit and consult a qualified electrician or a Meaco approved engineer.

The operator must make the operating instruction available for the user and make sure that the user does understand the manual.

WIRING INSTRUCTIONS


Should it be necessary to change the plug, please note the wires in the mains lead are coloured in accordance with the following code:

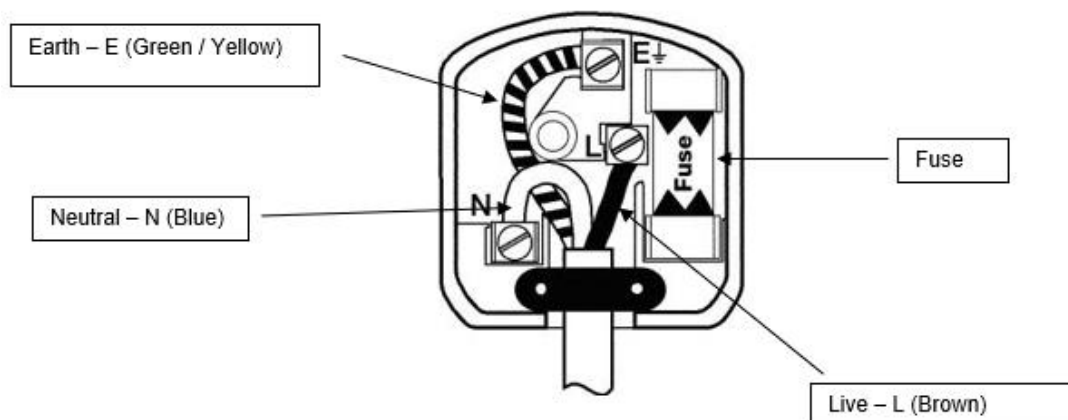
BLUE – NEUTRAL
BROWN – LIVE
GREEN AND YELLOW – EARTH

As the colours of the wires in the mains lead of this appliance may not correspond with the coloured markings identifying the terminals in your plug, proceed as follows:

1. The **BLUE** wire is the NEUTRAL and must be connected to the terminal which is marked with the letter N or coloured **BLACK**.
2. The **BROWN** wire is the LIVE and must be connected to the terminal which is marked with the letter L or coloured **RED**.
3. The **GREEN/YELLOW** is the EARTH and must be connected to the terminal which is marked with the letter E or coloured **GREEN** or **GREEN/YELLOW**.
4. Always ensure that the cord grip is positioned and fastened correctly.
5. Only ever use the same fuse as fitted in the original product, if in doubt please contact Meaco first, or a qualified electrician.

Example wiring for a Standard British Plug:

Please note: The Earth Terminal is marked with the letter E or Earth Symbol .



GENERAL ADVICE

- Before putting your humidifier into operation for the first time, the instruction manual should be studied carefully.
- After receiving the humidifier, you should check the unit for any transport damage. In case of damage, you should inform the sender immediately.
- The humidifier should be placed on a steady, flat surface. Do not place the humidifier close to any heat sources, such as a fireplace or stove. Avoid the humidifier being placed in direct sunlight.
- Ensure the humidifier is placed away from any furniture or electronic appliances to avoid any damage via damp.
- Keep the packaging for the humidifier in a safe place in order to be able to despatch the unit safely if it requires a service. In order to save space, you can simply cut through the adhesive tape using a knife and fold the cardboard box.

HUMIDIFIER PRINCIPLES

High speed vibrations inside the humidifier create tiny water particles that are blown into the room from the top of the humidifier.

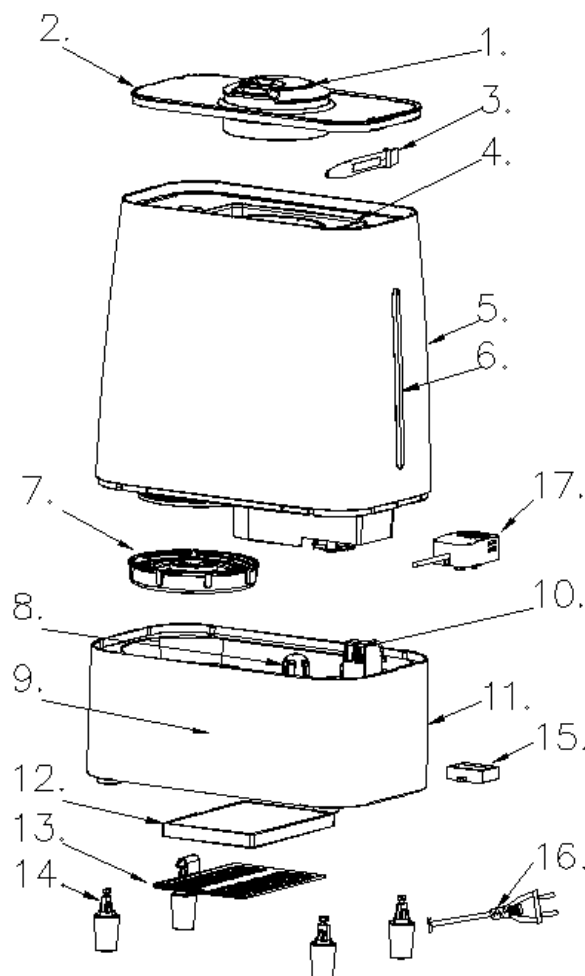
We recommend setting the humidifier to reach a target level of 40%rh to 60%rh. Mould forms at 68%rh so it is important not to set the target humidity level too high.

The ultraviolet lamp in the base of the humidifier when turned on will kill bacteria and germs that might be present in the water to ensure that the mist that is humidified is as clean as possible. As part of this process the plastic in the base will discolour and will turn yellow. This is not a fault and is impossible to prevent, it is proof that the UV is doing its job. The UV lamp turns off when the tank is removed from the base. Never try and look directly at an UV lamp when in use as it could damage your eyesight.

It is very normal for an ultrasonic humidifier to create a puddle of water on whatever surface it is standing on. You can avoid or reduce this by directing the mist nozzles away from each other to ensure that the mist goes in different directions and it is not all concentrated in the one area. You can also reduce the mist output if necessary, to reduce the amount of moisture landing in front of the humidifier. A MeacoFan could also be used to help distribute the mist around the whole of your room.

If the furniture that you are placing the humidifier is vulnerable to moisture damage, then we recommend using a different location or protecting the surface in front of the humidifier.

PRODUCT IDENTIFICATION



- | | | | |
|---------------------|-----------------------|-------------------|----------------------|
| 1. Mist nozzle | 2. Top cover | 3. Cleaning brush | 4. Water tank handle |
| 5. Water tank | 6. Water level window | 7. Water tank cap | 8. Water housing |
| 9. Control panel | 10. Air outlet | 11. Base | 12. HEPA filter |
| 13. Filter cover | 14. Legs | 15. Aroma box | 16. Power cord |
| 17. Humidity Sensor | | | |



Legs



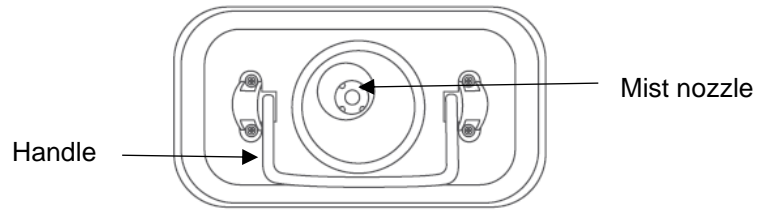
Cleaning Brush



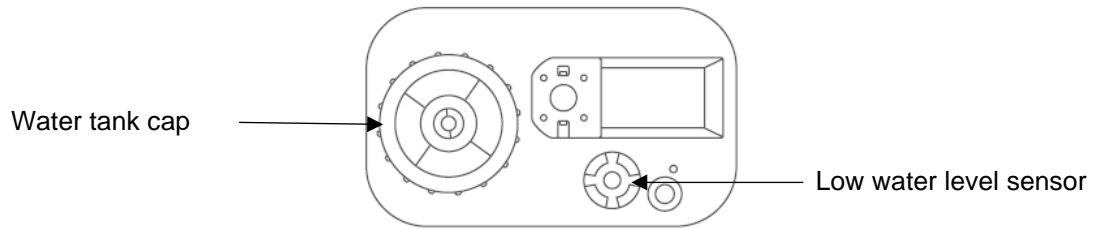
Remote Control

BIRDS EYE VIEW OF THE PRODUCT

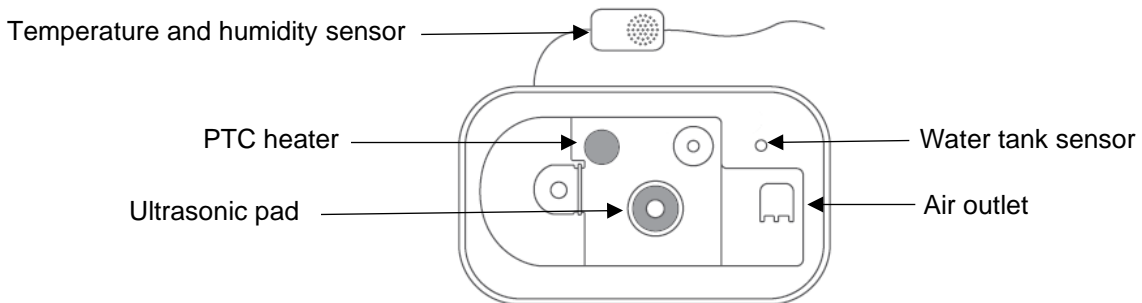
TOP COVER



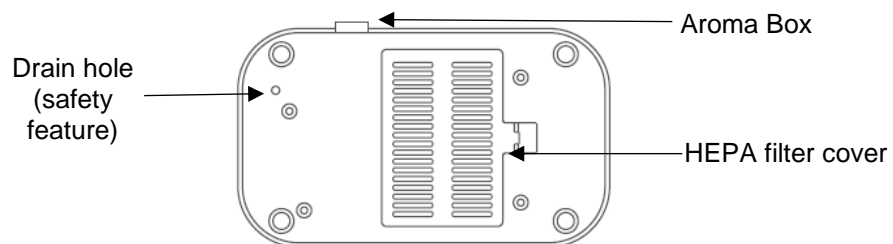
WATER TANK



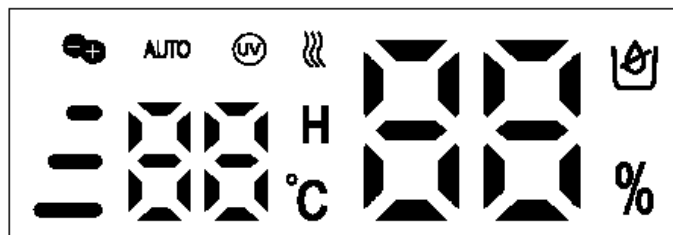
BASE



UNDERNEATH



CONTROL PANEL



- When the % symbol is shown, the data on the digital display will refer to the humidity level in the environment.
- When the °C symbol is shown, the data on the digital display will refer to the temperature in the environment.
- When the H symbol is shown it means the Timer has been set. Press the Timer button to see the number of remaining hours.
- The humidity level in the environment will show for 10 seconds on the display, and then the temperature of the environment will show for 5 seconds. This will continuously repeat.



POWER BUTTON

When the humidifier is first plugged in to the mains, the machine will beep and turn on in Standby Mode. Press the Power Button once, the LED display will light up and the machine will start to work. Press the Power Button again, the machine will stop working and go back into Standby Mode.



AUTO MODE

Press the Auto/Night Button to enter the automatic control mode. In this mode the machine will maintain a relative humidity level between 50%rh and 60%rh. The machine will choose the best humidifying method according to the ambient humidity level of the room.



NIGHT MODE

Hold the Auto/Night Button down for 3 seconds to enter Night Mode. The lights on the display will dim. Press any button to stop Night Mode and the display will brighten.



TIMER

Press the Timer Button to set an Off Timer between 1 and 10 hours. Continue pressing the Timer Button until the desired number of hours is reached, the set number will flash three times and then the display will change back to the room temperature. H will appear on the display to confirm the Timer has been set. The machine will automatically stop running after the set number of hours. To see the remaining number of hours at any point, press the Timer Button and the number will appear on the display.



UV LAMP

Press the UV/Ioniser Button to turn the UV lamp on. This function will kill bacteria in the water. The UV icon will appear on the display to confirm that the UV lamp is on. Press the UV/Ioniser Button again to turn the UV lamp off. The UV lamp turns off when the tank is removed from the base. Never try and look directly at an UV lamp when in use as it could damage your eyesight.



IONISER

Hold the UV/Ioniser Button down for 3 seconds to turn the ioniser on. This function will absorb dust particles in the air. The plus and minus icon will appear on the display to confirm that the ioniser is on. Hold the UV/Ioniser Button down again for 3 seconds to turn the ioniser off.



WARM MIST

Press the Warm Mist Button to start the warm mist function. The PTC element in the machine will start working and the mist will become warm. Three vertical lines will appear on the display to confirm that warm mist has been set. Activating warm mist will increase the humidification output. Press the Warm Mist Button again to stop this function. When the warm mist function is off, the machine will dispense cool mist.



MIST LEVEL

Press the Mist Level Button to change the humidification output level. Output Level 1, 2 or 3 can be chosen (Level 1 is the lowest and Level 3 is the highest). Three horizontal lines on the left-hand side of the display will indicate which mist level has been chosen.



HUMIDSTAT

Press the Humidstat Button to set your desired humidity target, the set number will flash three times and then the display will change back to the humidity level in the environment. The humidity target can be adjusted between 40%rh and 80%rh. The machine will run until the desired humidity target is reached. Please note, when the machine starts working, it will humidify for 2 minutes regardless of the humidity level in the room.



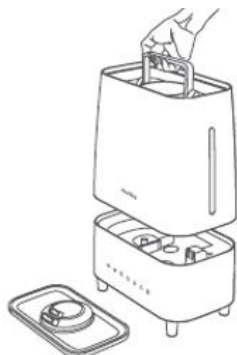
NO WATER

The icon to the left will appear on the display when there is no water in the water tank. The unit will automatically stop running.

OPERATION

Please see pages 5 and 6 to identify each part of the MeacoMist.

1. Attach the four legs to the humidifier. It is essential the legs are in place correctly to lift the base up and allow air to flow into the humidifier.
2. Remove the top cover and water tank from the base.



3. Turn the water tank upside down and unscrew the water tank cap removing it from the water tank. The calcium carbonate filter will be attached to the water tank cap.



4. Fill the water tank with water, screw the water tank cap back in place and securely place the water tank back onto the base. The water tank level can be viewed through the window on the left-hand side.



5. Put the top cover back in place.

6. Use the mist nozzles on the top cover to change the direction of mist.
7. Plug the machine into a mains socket and press the Power Button.
8. To use the aroma function, complete the following steps:
 - Remove the aroma box from the machine (see diagram below).
 - Use water-soluble aroma oil to drop into the sponge in the aroma box.
 - Put the aroma box back into the machine.
 - The aroma function will automatically work when the machine is turned on.
 - To stop the aroma function (or when the machine is not in use for a long period of time), remove the sponge from the aroma box and clean it. Re-insert the aroma box into the machine.



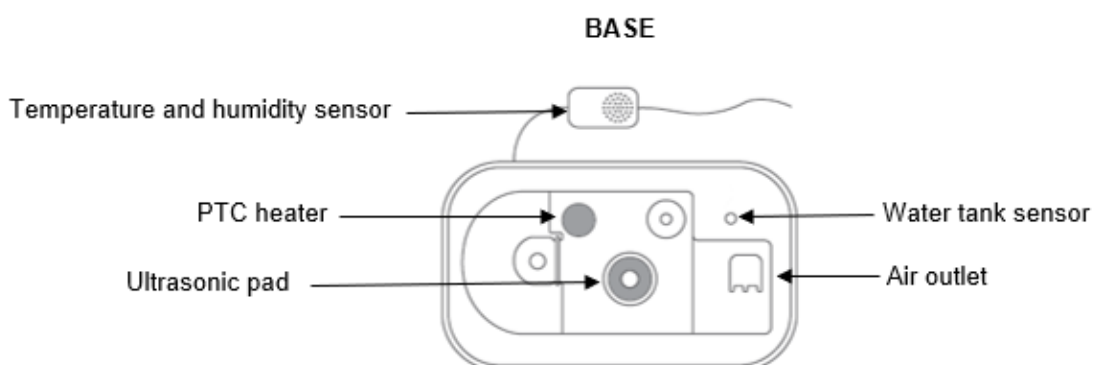
9. Choose your desired setting using the control panel (see pages 7 and 8 for more information).
10. Please note the HEPA is already installed in the humidifier. Please see page 12 with instructions on how to change the HEPA filter.

CLEANING AND STORAGE

- Before cleaning the humidifier make sure the power has been turned off and the humidifier is unplugged from the mains.
- Once the humidifier has been used for 50 hours it will automatically stop working as it requires cleaning. The lights on the LED display will blink every two seconds. All the functions set will be saved and the buttons on the display will be disabled.
- The cleaning of the following four components must be carried out: the ultra-sonic pad, the water tank, the inside of the base and the calcium carbonate filter. These should be cleaned as frequently as advised in the instructions below, however they **MUST** be cleaned every 50 hours when the LED lights start to blink.
- Once the cleaning is complete hold the power button down for three seconds. This will reset the accumulator to 0 hours.
- Press the power button again and the humidifier will run as per before.

ULTRASONIC PAD AND PTC HEATER

- The ultrasonic pad and PTC heater can be located in the base of the humidifier. The ultrasonic pad vibrates at high speed in order to turn water into mist. The PTC heater heats up the water when the warm mist option is chosen.



- In areas where the water quality is hard, limescale will form on the ultrasonic pad and PTC heater surface. The ultrasonic pad and PTC heater will need to be cleaned with a cleaning agent.
- Add a small amount of cleaning agent onto the ultrasonic pad and PTC heater, leave to soak in the sink for 10 to 15 minutes.
- Clean the ultrasonic pad and PTC heater with the small brush provided in the lid of the water tank until the limescale has disappeared.
- Rinse the ultrasonic pad and PTC heater in water to remove any residue.
- Do not clean the ultrasonic pad or PTC heater with metal or any material that could scrape and cause damage.
- The ultrasonic pad and PTC heater must be cleaned weekly.

WATER TANK

- The water tank must be cleaned twice per week when the machine is in frequent use.
- Use a soft cloth to clean the outside of the water tank.
- There may be a small amount of dirt built up on the inside of the water tank – use a soft cloth to clean this.
- If limescale starts to build up inside the water tank, use an appropriate cleaning solution and replace the humidifiers calcium carbonate filter.
- The water tank must be cleaned weekly.

INSIDE THE BASE

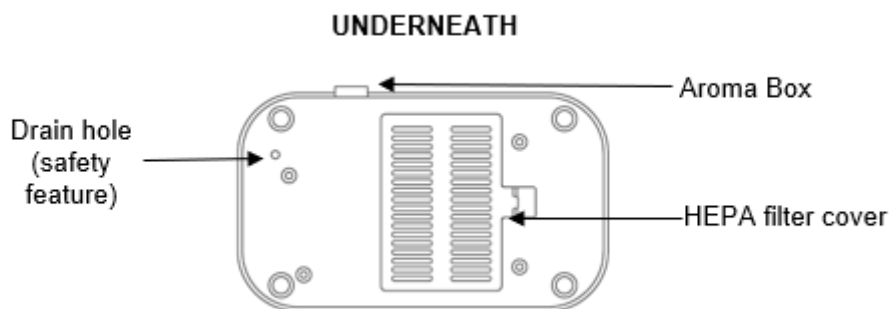
- Remove the water from the base and clean away any limescale using the cleaning brush provided.
- Wipe the inside of the base using a damp cloth.
- The inside of the base must be cleaned weekly.
- Please note any yellowing of the plastic is normal and is caused by the UV lamp working correctly.

CALCIUM CARBONATE FILTER

- The calcium carbonate filter can be found inside the water tank attached to the water tank cap.
- To regenerate the calcium carbonate filter, sit the filter in water that is 5% salt for 24 hours. Rinse and insert into the water tank. This should be done every 3 months.
- The calcium carbonate filter needs replacing when white dust deposits start to form around the humidifier. This is limescale.
- When replacing the calcium carbonate filter sit the new filter in water that contains 5% salt for 24 hours. Rinse the filter and insert into the water tank.

HEPA/CHARCOAL FILTER

- The HEPA filter will be able to retain 97.3% of particles 0.3 micrometres in diameter to help clean your room air.
- The charcoal filter is an active charcoal filter with 12-15g of charcoal to help remove odours.
- The HEPA/charcoal filter can be found underneath the base of the humidifier and must be replaced when the colour changes from white to dark grey – this will roughly be every 6 months.
- To remove the HEPA/charcoal filter press the filter cover open.
- Remove plastic wrapping from the replacement HEPA/charcoal filter before installing.
- The replacement HEPA/charcoal filter must be inserted so the HEPA (white) side is facing outwards. Secure the filter cover back in place.



SPECIFICATIONS

	In Cool Mist Mode	In Warm Mist Mode
Mist Capacity	300ml / hour	400ml / hour
Tank Capacity	5.3 litres	5.3 litres
Power	25W	105W
Noise Level	Maximum 35dB(A)	Maximum 45dB(A)
Aroma Diffuser	Yes	
Ioniser	Yes	
Ultraviolet Water Sterilisation	Yes	
Timer	Yes – between 1 and 10 hours	
Night Mode	Yes	
Adjustable Humidity Level	Yes – between 40%rh and 80%rh	
Auto Shut-Off	Yes	
HEPA Filter	Yes	
Carbon Filter	Yes	
Dimensions (HWD)	335 x 255 x 150 mm	
Nett Weight	2050g	

TROUBLE SHOOTING

TROUBLE	CAUSE	SOLUTION
There is no mist coming out of the humidifier	The machine is not plugged in	Plug the machine in to a mains socket
	The power has not been turned on	Press the Power Button
	There is no water in the water tank	Fill the water tank with water (see page 9)
	There is not enough water in the water tank	Fill the water tank with more water (see page 9)
	The HEPA/charcoal filter is blocked	Replace the HEPA/charcoal filter
There is a strange smell coming from the machine	It is a new machine	Remove the water tank from the base. Place the water tank in a cool and dry place for 12 hours
	The water has been left in the water tank for too long or the water is dirty	Clean the water tank (see page 12) and replace the water
The machine is noisy	The water tank is in the incorrect position	Make sure the water tank is securely in place
	There is not enough water in the water tank	Fill the water tank with more water (see page 9)
	The machine is on an uneven surface	Place the machine on a flat stable surface
	The HEPA/charcoal filter is blocked	Replace the HEPA/charcoal filter
The mist is coming out from the surrounding outlet on the top cover	The lid is not on properly	Attached the lid securely
	The nozzles are blocked by limescale	Clean the steam outlet cap
Yellow staining in base of humidifier	This comes from UV lamp as it sterilises the water	This is not a fault and is a good sign that the UV is working
The display is flashing	The humidifier has reached 50 hours of use and needs cleaning	Clean the humidifier (see page 11)

WARRANTY AND CUSTOMER SERVICE

There is a two-year manufacturer's warranty on your humidifier from the date of purchase. Please register your purchase at <https://meaco.com/warranty-register> - as a thank you, you will be entered into our monthly free prize draw to help support the David Shepard Wildlife Foundation. Registering also allows us to keep you update with any important developments concerning your product.

Within the two-year manufacturer's warranty, all manufacturing defects will be repaired free of charge (excluding damage caused by wear and tear, limescale, mineral deposits or dirt in the water). Filters are not covered under the manufacturer's warranty.

The following applies:

1. Any repairs or replacement of components during the warranty period will not result in an extension of the warranty period.
2. The warranty will expire if any alterations have been made, not genuine components have been fitted or if the humidifier has been repaired by a third party.
3. Components subject to normal wear and tear are not covered by the warranty.
4. The warranty is only valid on presentation of the original, unaltered, and date-stamped purchased receipt.
5. The warranty does not cover damage caused by actions that deviate from those as described in the user's manual or by neglect.
6. The warranty does not cover faults caused by dirt or by third-party products.
7. The warranty does not cover accidental damage.
8. All claims for compensation, including consequential damage, will not be entertained.
9. Using a third-party switching device that turns the humidifier on or off via the mains will invalidate the warranty.

For the full list of the warranty terms and conditions please visit: www.meaco.com/warranty-terms.

To prevent unnecessary expenses, we recommend that you always carefully read the user's manual first. If this does not provide a solution, please call Meaco and we will be happy to help.

This humidifier has been imported into the UK by:

*Meaco (UK) Limited
Meaco House
Parklands
Railton Road
Guildford
GU2 9JX*

*Telephone: 01483 234900
Email: service@meaco.com
Website: www.meaco.com*

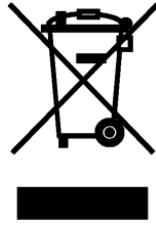
Please record, for future reference, your date of purchase and where you bought the humidifier from here.

Date of purchase:

Purchased from www.meaco.com (if not, then please record the supplier's name below).

Suppliers name:

If your humidifier develops a fault at any time, please contact us and we will always try and help you as best we can. Please keep hold of the original box and packaging your unit arrived in just in case we need to collect the humidifier from you for a repair/service in the future.



This marking indicates that this product should not be disposed with other household wastes throughout the UK and EU. To prevent possible harm to the environment or human health from uncontrolled waste disposal, recycle it responsibly to promote the sustainable reuse of material resources. To return your used device, please use the return and collection systems or contact the retailer where the product was purchased. They can take this product for environmental safe recycling.

